

**Ring spanner, vertical**

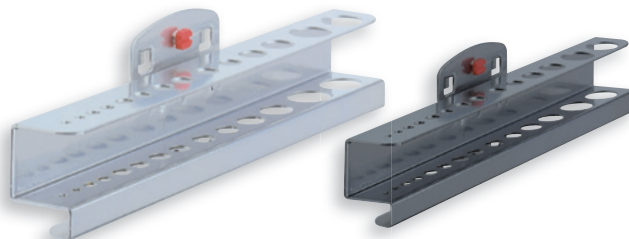
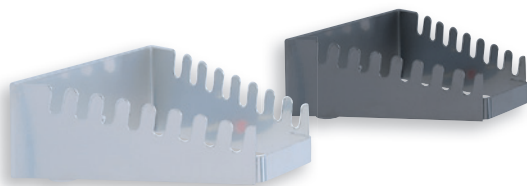
H 255 x W 225/125 x D 50 mm

Color	aluminium	anthracite
for 10 wrenches	4042.00.2201	4042.00.2208

**Spanner Holder, vertical**

H 220 x W 145/75 x D 50 mm

Color	aluminium	anthracite
for 10 wrenches	4042.00.2101	4042.00.2108



**Spanner Holder, horizontal**

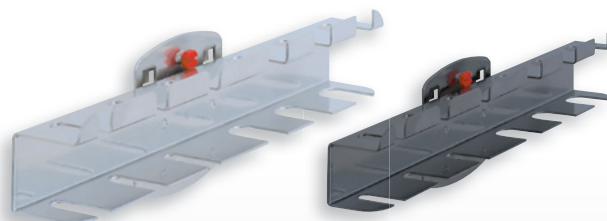
H 50 x W 130/60 x D 150 mm

Color	aluminium	anthracite
for 8 wrenches	4042.00.2001	4042.00.2008

**Allen key/drill Holder (var. Ø)**

H 35 x W 200/390 x D 30 mm

Color	aluminium	anthracite
for 14 pieces	4042.00.2801	4042.00.2808
for 28 pieces	4042.00.3301	4042.00.3308



**Bit Holder**

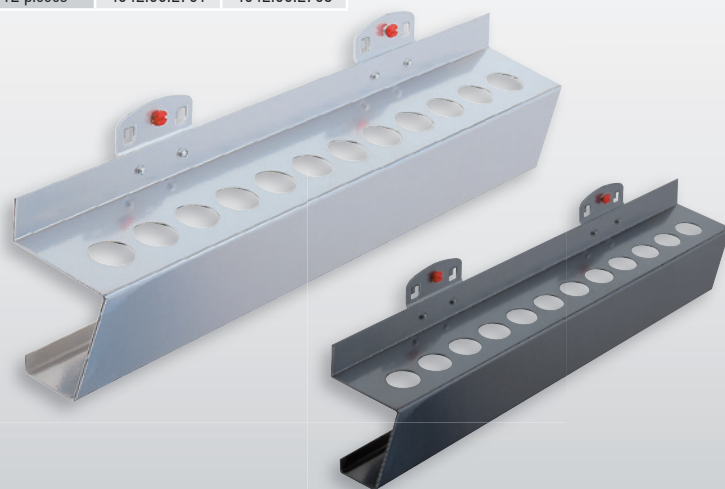
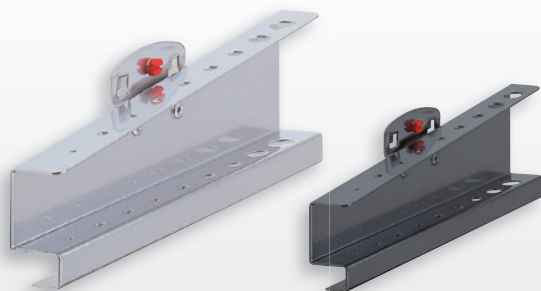
H 10 x W 150 x D 35 mm

Color	aluminium	anthracite
for 7 bits	4042.00.2301	4042.00.2308

**Screwdriver Holder**

H 40 x W 200/390 x D 30 mm

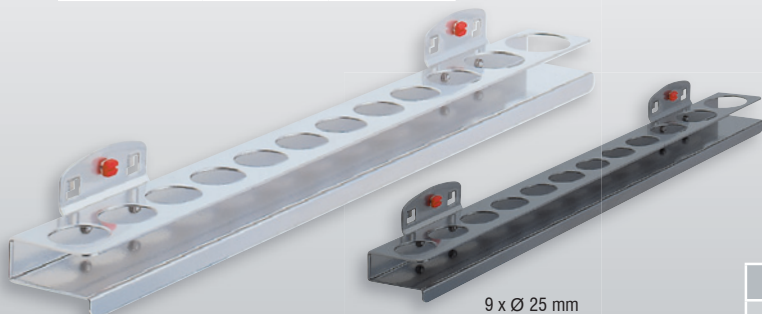
Color	aluminium	anthracite
for 6 pieces	4042.00.2601	4042.00.2608
for 12 pieces	4042.00.2701	4042.00.2708



**Allen key Holder, Ø 2 - 12 mm**

H 50/70 x W 200 x D 25 mm

Color	aluminium	anthracite
for 9 keys	4042.00.2501	4042.00.2508



**Socket Holder**

H 30 x W 390 x D 45 mm

Color	aluminium	anthracite
for 12 sockets	4042.00.2401	4042.00.2408

9 x Ø 25 mm  
1 x Ø 27 mm  
1 x Ø 32 mm  
1 x Ø 35 mm

**Tool Holder for MK-2 and MK-3**

H 85 x W 395 x D 60 mm

Color	aluminium	anthracite
MK-2 (15 x Ø 17 mm)	4042.00.2901	4042.00.2908
MK-3 (12 x Ø 23 mm)	4042.00.3001	4042.00.3008